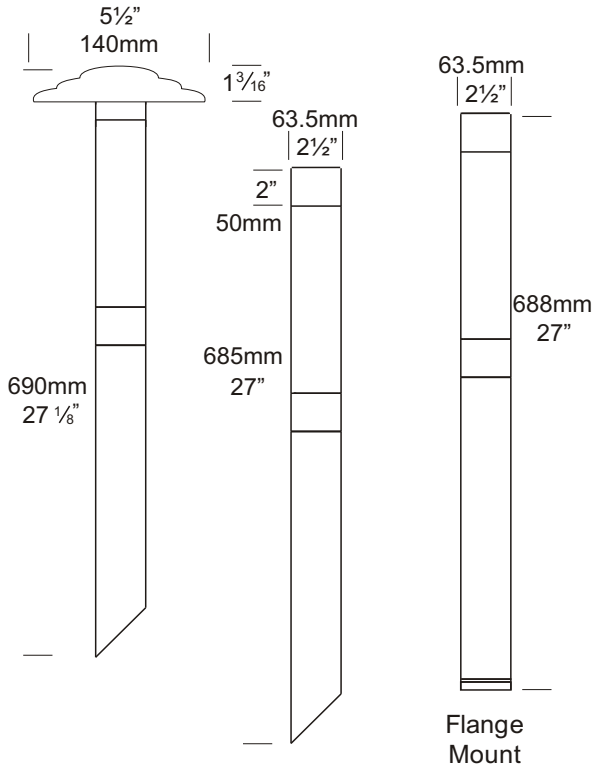


Bollard Metal Halide

Cat. No. BOLMH

Cat. No. BOLMH35



The Bollard 700 Metal Halide is ideal for garden edges, walkways, driveways and carparks. The acrylic lens reflects light at two angles through an anti-glare mesh directly onto the ground and horizontally to illuminate the surrounding landscape.

This luminaire uses a metal halide lamp which is a highly energy efficient light source, using less energy and out putting 2 - 3 times the light of a halogen lamp. This luminaire uses a MR16 GX10 20 or 35watt lamp.

Ordering Information

Luminaire Type	Material/Finish	Accessories
BOLMH - Bollard Metal Halide	BK - Black	CJK150 - Cable Joint Kit
BOLMH35 - Bollard Metal Halide 35watt	BZ - Bronze	HOOD140 - Anti Glare Hood
	GN - Green	FM - Flange Mount
	STAR - Silver Star	LENBOLOP - Opaque Lens
	WH - White	LENBOLF - Frosted Lens
	COP - Copper	
	SS - 316 Stainless Steel	



Ordering Example: BOLMH BZ - Bollard Metal Halide in Bronze
 BOLMH35FM COP - Bollard Metal Halide Flange Mount 35watt in Copper

(Accessories ordered separately)

HUNZA™ PURE OUTDOOR LIGHTING

HUNZA FACTORY
 130 Felton Mathew Ave
 Glen Innes
 Auckland 1072
 New Zealand

Ph: 64-9-528 9471
 Fax: 64-9-528 9361
hunza@hunza.co.nz
www.hunza.co.nz

INTERNATIONAL CONTACTS:
www.hunza.co.nz/contacts.php

Specifications may change without notice.
 Manufactured in New Zealand.

© 2009 Hunza Holdings Ltd.

Ver 1.4

Luminaire Construction

CNC machined from one of the following metals:

High corrosion resistant 63.5mm (2½") x 10mm (25/64") aluminium. End cap - solid aluminium 63.5mm (2½") rod, pole - 63.5mm (2½") x 3.25mm (1/8") x 620mm (24½") with chromate substrate and high UV resistant polyester powder coat

Colours Black, Bronze, Green, Silver Star, White.

Copper 63.5mm (2½") x 10mm (13/32"). End cap - solid copper 63.5mm (2½") rod, pole - 63.5mm (2½") x 3.25mm (1/8") x 620mm (24½").

316 Stainless Steel 63.5mm (2½") x 9mm (11/32"). End cap - solid 316 stainless steel 63.5mm (2½") rod pole - 63.5mm (2½") x 3.25mm (1/8") x 620mm (24½").

Mounting

Set in concrete in the ground or specify with flange mount option, which bolts to concrete, tiling or wooden decks.

Features

Lens:

UV stable polycarbonate with anti-glare mesh and dual angle reflector projects light horizontally and at 45° onto the ground.

Gaskets:

Silicone, iron impregnated 220°C (428°F).

Lamp Holders:

GX10 - 350°C (662°F) ceramic multi contact lamp holder with 250°C (480°F) teflon cables.

Accessories:

Cable Joint Kit (Cat. CJK150).
Anti-Glare Hood (Cat. HOOD140).
Flange Mount (Cat. FM).
Opaque Lens (Cat. LENSBOLOP).
Frosted Lens (Cat. LENSBOFL).

Standards

IP66 AS/NZS 60598.2.2



UL1598

Luminaire Weight

Alum 2.700kg (5lb 15oz)
Cop 5.200kg (11lb 7oz)
SS 4.650kg (9lb 4oz)

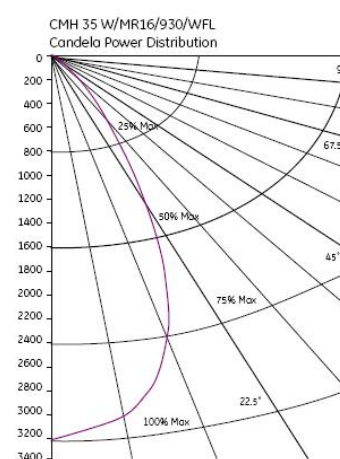
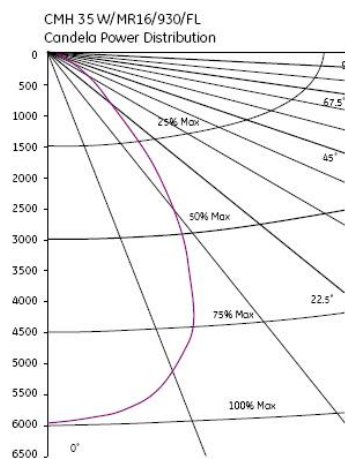
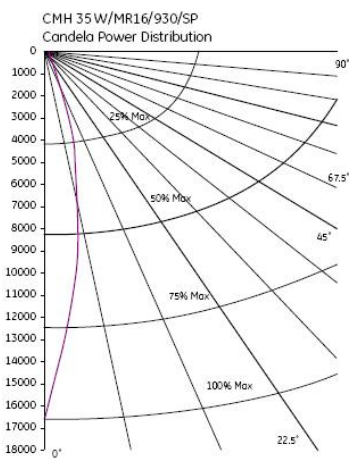
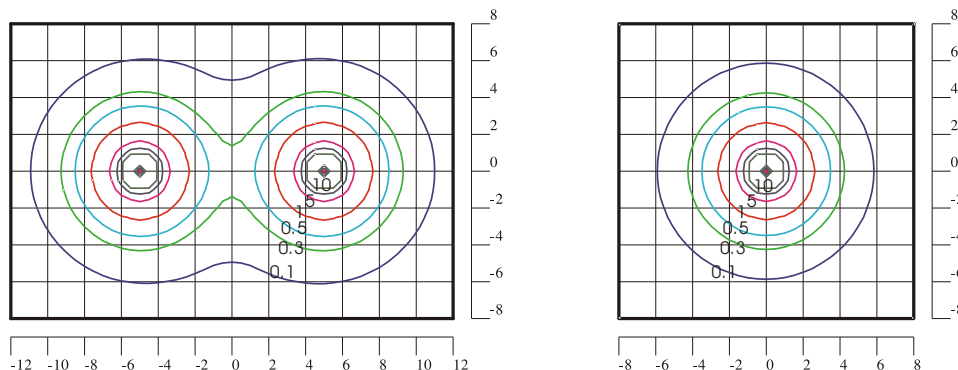
Power Supply

Ballast built in: 230 - 240 volt ac 50Hz.

USA and Canada:
Ballast built in: 120 volt ac 60Hz.

Luminaire: supplied with
MR16 GX10 20 or 35 watt lamp.

Bollard 700 - 20w Metal Halide Lamp



HUNZA™ PURE OUTDOOR LIGHTING

HUNZA FACTORY
130 Felton Mathew Ave
Glen Innes
Auckland 1072
New Zealand

Ph: 64-9-528 9471
Fax: 64-9-528 9361
hunza@hunza.co.nz
www.hunza.co.nz

INTERNATIONAL CONTACTS:
www.hunza.co.nz/contacts.php

Specifications may change without notice.
Manufactured in New Zealand.
© 2009 Hunza Holdings Ltd.

Ver 1.4