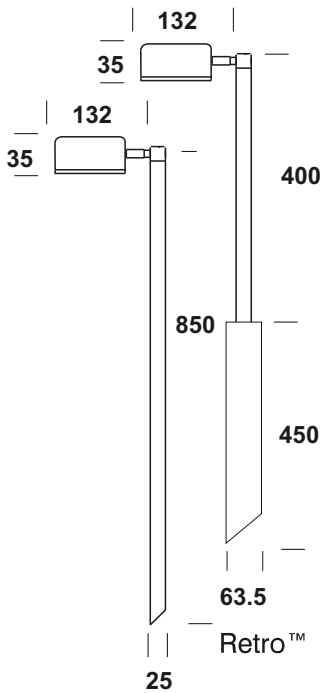


# Border Lite

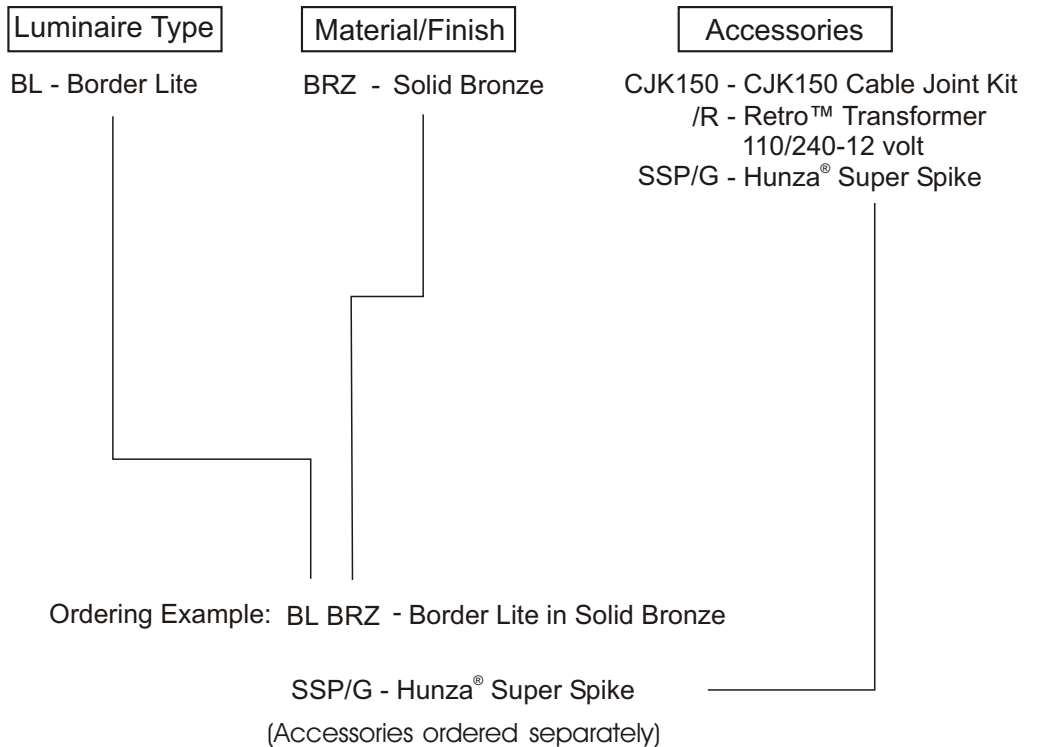
Cat. No. BL BRZ  
 Cat. No. BL/R BRZ



The Border Lite is ideal for path lighting giving a wide spread of light with no upward projection. This luminaire has a fully adjustable arm allowing 360 degree rotation and 0 - 90 degree elevation. The Retro™, which is a mains option, avoids the need to bury a transformer. The 110/240-12 volt electronic transformer is built into the pole and is a double insulated safety isolating transformer, this changes the luminaire to an IP56 rating.



## Ordering Information



FACTORY: Ph: 64-9-528 9471 Fax: 64-9-528 9361.  
 USA: Ph. 310 560 7310 Fax. 1 877 692 4589.  
 hunza@hunza.co.nz www.hunza.co.nz  
 Specifications may change without notice.

130 Felton Mathew Ave, Glen Innes, Auckland, New Zealand.  
 3237 Long Island St, W. Sacramento, California 95691, USA.  
 Manufactured in New Zealand.  
 © 2009 Hunza Holdings Ltd

Ver 1.4

### Luminaire Construction

Head:  
Cast from LG2 Bronze

Material: Copper

Pole - 25.4mm (1") x 850mm (33½") tube.

Retro™: Pole - 25.4mm (1") x 410mm (16") tube.

Transformer Pole 63.5mm (2½") x 440mm (17½").

### Mounting

Directly mounted into the earth or for extra stability in sand or loose ground use a Hunza® Super Spike. Retro™ - set in concrete.

### Features

Lens:  
47mm (1 13/16") x 47mm (1 13/16") x 3mm (1/8") Frosted tempered shatter resistant glass.  
Life Time Warranty.

Gaskets:  
Silicone Rubber 230°C

Lamp Holder:  
GU4 - 350°C (662°F) ceramic multi contact lamp holder with 250°C (480°F) teflon cables.

Accessories:  
Cable Joint Kit (Cat. CJK 50). Not Approved for USA /Canada.  
Hunza® Super Spike, not Retro™ option (Cat. SSP/G).  
Retro™ transformer 110/240-12 volt (Cat. /R) IP56.  
Swivel:  
360° rotation and 0 - 90° elevation, solid brass with anti rust spring.

### Standards

IP56 / IP66  UL1838

### Luminaire Weight

12 volt:  
1.5kg (3lb 5oz)  
Retro™ :  
3.2kg (7lb 1oz)

### Power Supply

HUNZA® Inground or Wall Mount Transformer: not included.

### RETRO™ IP56

HUNZA® 110/240-12 volt ac polyurethane encapsulated electronic transformer is built into the pole. Dimmable with a suitable leading edge dimmer. \* Note see page 7.3 for details.

USA and Canada

HUNZA® Wall Mount Transformer: not included.

### Luminaire: supplied with

GU4 Bi - Pin 20 watt lamp max.

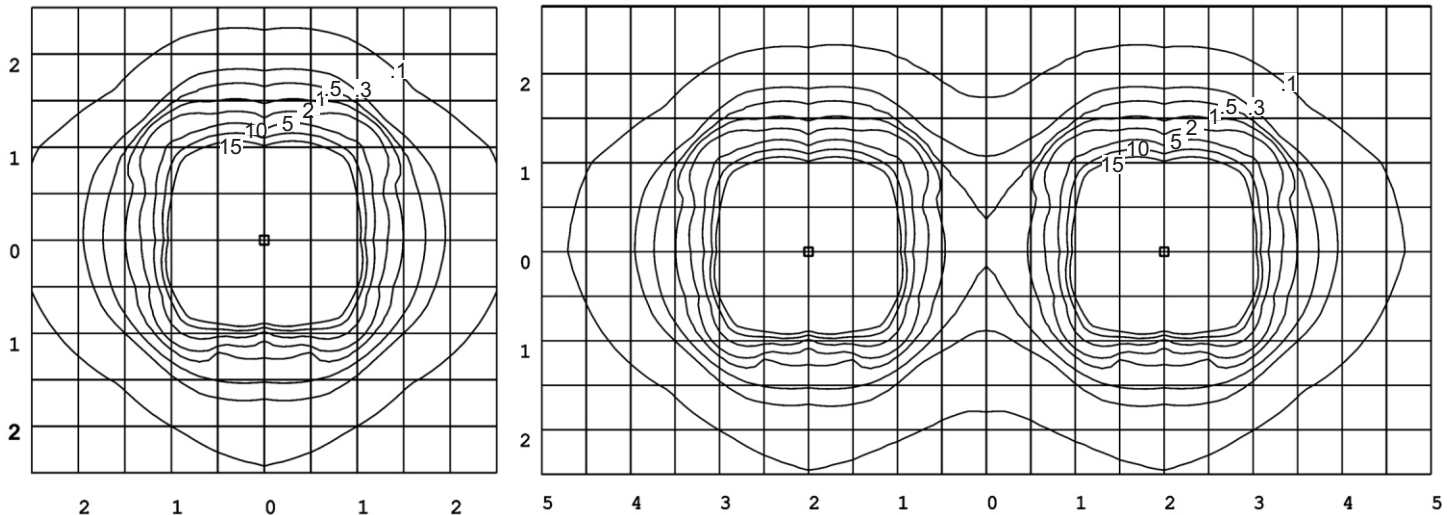
Retro™ GU4 Bi - Pin 20 watt lamp max.

USA and Canada:

GU4 Bi - Pin 20 watt lamp max.

Retro™ GU4 Bi - Pin 20 watt lamp

Border Lite GU4 20 watt lamp lens height 600mm (24")



FACTORY: Ph: 64-9-528 9471 Fax: 64-9-528 9361.

USA: Ph. 310 560 7310 Fax. 1 877 692 4589.

hunza@hunza.co.nz www.hunza.co.nz

Specifications may change without notice.

130 Felton Mathew Ave, Glen Innes, Auckland, New Zealand.

3237 Long Island St, W. Sacramento, California 95691, USA.

Manufactured in New Zealand.

Ver 1.4

© 2009 Hunza Holdings Ltd