

Border Lite

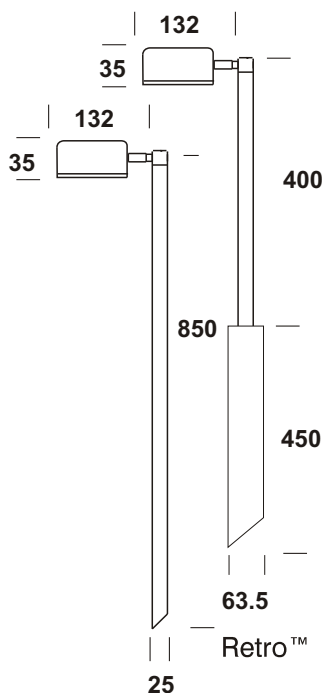
Cat. No. BL SS

Cat. No. BL/R SS



HUNZA®

The Border Lite is ideal for path lighting giving a wide spread of light with no upward projection. This luminaire has a fully adjustable arm allowing 360 degree rotation and 0 - 90 degree elevation. The Retro™, which is a mains option, avoids the need to bury a transformer. The 110/240-12 volt electronic transformer is built into the pole and is a double insulated safety isolating transformer, this changes the luminaire to an IP56 rating.



Ordering Information

Luminaire Type

BL - Border Lite

Material/Finish

SS - 316 Stainless Steel

Accessories

CJK150 - CJK150 Cable Joint Kit
 /R - Retro™ Transformer
 110/240-12 volt
 SSP/G - Hunza® Super Spike

Ordering Example: BL SS - Border Lite in Stainless Steel

SSP/G - Hunza® Super Spike
 (Accessories ordered separately)



FACTORY: Ph: 64-9-528 9471 Fax: 64-9-528 9361.

USA: Ph. 310 560 7310 Fax. 1 877 692 4589.

hunza@hunza.co.nz www.hunza.co.nz

Specifications may change without notice.

130 Felton Mathew Ave, Glen Innes, Auckland, New Zealand.

3237 Long Island St, W. Sacramento, California 95691, USA.

Manufactured in New Zealand.

Ver 1.4

© 2009 Hunza Holdings Ltd

Luminaire Construction

Head:
Cast from 316 Stainless Steel

Material: 316 Stainless Steel

Pole - 25.4mm (1") x 850mm (33½") tube.

Retro™: Pole - 25.4mm (1") x 410mm (16") tube.

Transformer Pole 63.5mm (2½") x 440mm (17½").

Mounting

Directly mounted into the earth or for extra stability in sand or loose ground use a Hunza® Super Spike. Retro™ - set in concrete.

Features

Lens:
47mm (1 13/16") x 47mm (1 13/16") x 3mm (1/8") Frosted tempered shatter resistant glass.
Life Time Warranty.

Gaskets:
Silicone Rubber 230°C

Lamp Holder:
GU4 - 350°C (662°F) ceramic multi contact lamp holder with 250°C (480°F) teflon cables.

Accessories:
Cable Joint Kit (Cat. CJK 50). Not Approved for USA /Canada.
Hunza® Super Spike, not Retro™ option (Cat. SSP/G).
Retro™ transformer 110/240-12 volt (Cat. /R) IP56.

Swivel:
360° rotation and 0 - 90° elevation, solid brass with anti rust spring.

Standards

IP56 / IP66  UL1838

Luminaire Weight

12 volt:
1.3kg (2lb 14oz)
Retro™ :
3.0kg (6lb 9oz)

Power Supply

HUNZA® Inground or Wall Mount Transformer: not included.

RETRO™ IP56

HUNZA® 110/240-12 volt ac polyurethane encapsulated electronic transformer is built into the pole. Dimmable with a suitable leading edge dimmer. * Note see page 7.3 for details.

USA and Canada

HUNZA® Wall Mount Transformer: not included.

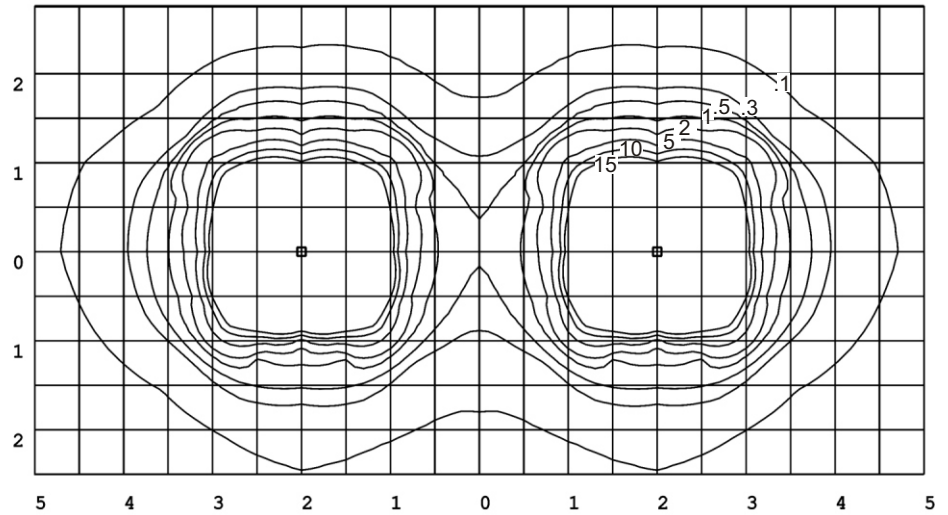
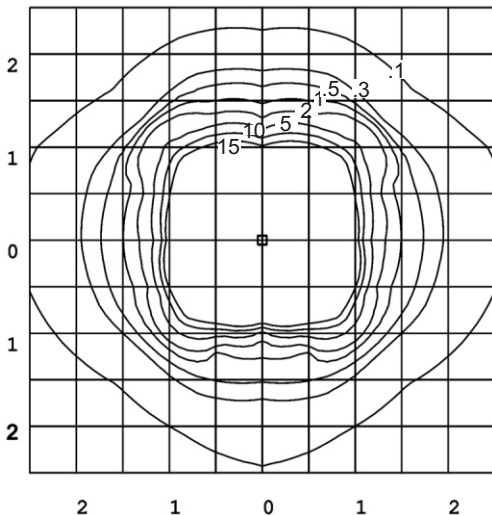
Luminaire: supplied with

GU4 Bi - Pin 20 watt lamp max.
Retro™ GU4 Bi - Pin 20 watt lamp max.

USA and Canada:
GU4 Bi - Pin 20 watt lamp max.

Retro™ GU4 Bi - Pin 20 watt lamp

Border Lite GU4 20 watt lamp lens height 600mm (24")



FACTORY: Ph: 64-9-528 9471 Fax: 64-9-528 9361.

USA: Ph: 310 560 7310 Fax: 1 877 692 4589.

hunza@hunza.co.nz www.hunza.co.nz

Specifications may change without notice.

130 Felton Mathew Ave, Glen Innes, Auckland, New Zealand.

3237 Long Island St, W. Sacramento, California 95691, USA.

Manufactured in New Zealand.

Ver 1.4

© 2009 Hunza Holdings Ltd