

# Euro Solid Eyelid Step Lite

Cat. No. ESLS



The Euro Solid Eyelid Step Lite flange has a smooth machined finish without mounting holes to disrupt the elegant line of the luminaire and is designed to fit into a mounting canister. The eyelid masks two thirds of the lamp which eliminates all upward light.

### Ordering Information

#### Luminaire Type

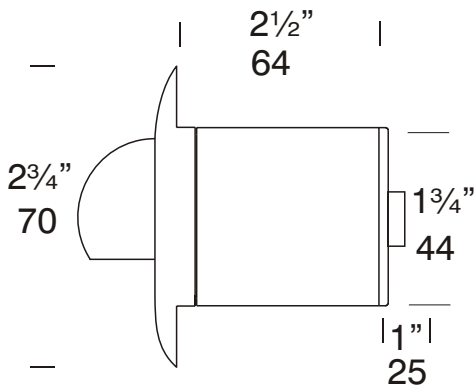
ESLS - Euro Solid Eyelid Step Lite

#### Material

COP - Copper  
SS - 316 Stainless Steel

#### Accessories

CJK150 - Cable Joint Kit  
Elcan - Euro Lite Canister  
EFL - Frost Lens  
LED - LED Array



Ordering Example: ESLS cop - Euro Solid Eyelid Step Lite in copper.

LED/WH - LED Array in White

*(Accessories ordered separately)*



**FACTORY:** Ph: 64-9-528 9471 Fax: 64-9-528 9361.

**USA:** Ph. 310 560 7310 Fax. 1 877 692 4589.

hunza@hunza.co.nz www.hunza.co.nz

Specifications may change without notice.

130 Felton Mathew Ave, Glen Innes, Auckland, New Zealand.

3237 Long Island St, W. Sacramento, California 95691, USA.

Manufactured in New Zealand.

© 2004 Hunza Holdings Ltd

Ver 1.2

### Luminaire Construction

CNC machined from:

Body:

45mm Copper (1¾") rod.

Flange:

70mm (3½") solid copper rod.

Body:

45mm (1¾") 316 Stainless steel rod.

Flange:

70mm (3½") solid 316 stainless steel rod.

### Mounting

The Euro Solid Eyelid Step Lite is fixed in place using a mounting canister. There are no mounting screws in the flange to spoil aesthetics of the luminaire .

### Features

#### Lens:

3mm (1/8") thick clear tempered shatter resistant glass with Hex Cell Louver for glare control .  
Life Time Warranty.

#### Gaskets:

Silicone, iron impregnated 220°C (428°F).

#### Lamp Holder:

GU4 - 350°C (662°F) ceramic multi contact lamp holder with 250°C (480°F) teflon cables.

#### Accessories:

Cable Joint Kit (Cat. CJK 50)  
Not approved for USA /Canada.

Euro lite Canister (Cat. Elcan)

Frosted Lens (Cat. EFL).

LED Array (Cat. LED) Red, Green, Blue, Yellow and White. Refer sheet no. 8.4

### Standards

IP66



UL1838

### Luminaire Weight

Cop .635kg (1lb 6oz)

SS .585kg (1.1b 4oz)

### Power Supply

HUNZA® Inground or Wall Mount Transformer: not included.

LED Refer sheet no.8.4

### USA and Canada

HUNZA® Wall Mount Transformer: not included.

LED Refer sheet no.8.4

### Lamp Type

#### Halogen

MR11 GU4 20 watt lamp max.

#### LED

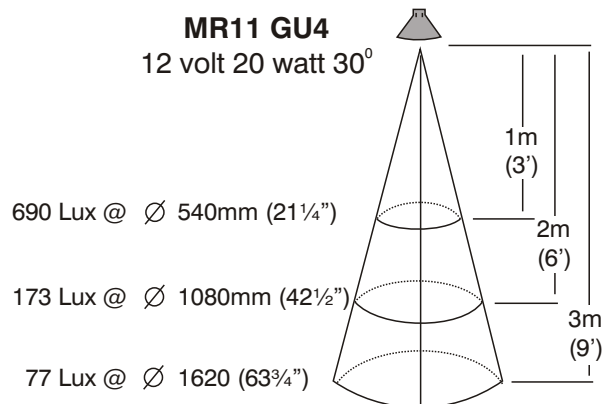
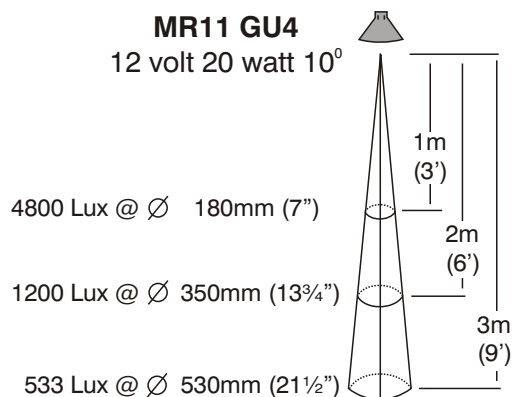
LED - Refer sheet no.8.4

### USA and Canada

MR11 GU4 10 watt lamp max.

#### LED

LED - Refer sheet no.8.4



**FACTORY:** Ph: 64-9-528 9471 Fax: 64-9-528 9361.

**USA:** Ph. 310 560 7310 Fax. 1 877 692 4589.

hunza@hunza.co.nz www.hunza.co.nz

Specifications may change without notice.

130 Felton Mathew Ave, Glen Innes, Auckland, New Zealand.

3237 Long Island St, W. Sacramento, California 95691, USA.

Manufactured in New Zealand.

Ver 1.2

© 2004 Hunza Holdings Ltd