

# Fern Lite

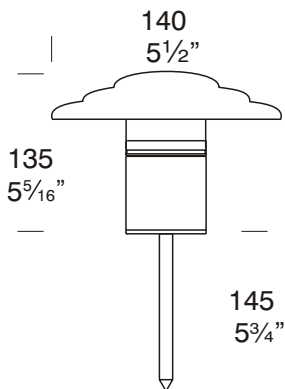
Cat. No. FN

[Click here for specifications on this luminaire](#)

[Return to main index](#)



Fern Lite is suited to illumination of low level foliage. Light is emitted on a horizontal plane through a UV stable acrylic lens with anti-glare mesh around 360 degrees. The luminaire uses a 5, 10 or 20 watt halogen bi-pin lamp and does not project any vertical light due to the anti-glare hood.



## Ordering Information

Luminaire Type	Material/Finish	Accessories
FN - Fern Lite	BK - Black BZ - Bronze GN - Green MS - Metallic Silver  COP - Copper	CJK150 - Cable Joint Kit /300 - Ground Spike 300mm (12")

Ordering Example FN COP - Fern Lite in Copper  
FN/300 BK - Fern Lite in black with 300mm (12") Ground Spike  
CJK150 - Cable Joint Kit  
*(Accessories ordered separately)*



Patent Pending



**FACTORY:** Ph: 64-9-528 9471 Fax: 64-9-528 9361.

**USA:** Ph. 310 560 7310 Fax. 1 877 692 4589.

hunza@hunza.co.nz www.hunza.co.nz

Specifications may change without notice.

130 Felton Mathew Ave, Glen Innes, Auckland, New Zealand.

3237 Long Island St, W. Sacramento, California 95691, USA.

Manufactured in New Zealand.

© 2004 Hunza Holdings Ltd

Ver 1.2

### Luminaire Construction

Body: high corrosion resistant 63.5mm (2½") x 10mm (25/64") aluminium.

End cap: solid aluminium 63.5mm (2½") rod.

Spike - 11.11mm (7/16") aluminium rod.

#### Hood:

140mm (5½") x 1.2mm (1/16") hand spun aluminium.

With cromate substrate and high UV resistant polyester powder coat -

Colours: Black, Bronze, Green, Metallic Silver.

#### Copper:

Body 63.5mm (2½") x 10mm (13/32"). End cap - solid copper 63.5mm (2½") rod.

Spike: 11.11mm (7/16") copper rod.

#### Hood:

140mm (5½") x 1.2mm (1/16") hand spun copper.

### Mounting

Ground spike 150mm (6") or 300mm (12") directly into the earth.

### Features

#### Lens:

UV stable clear acrylic with anti-glare mesh.

#### Anti Glare Hood:

Diameter 140mm (5½"). No upward light or glare projected.

#### Gasket:

Silicone, iron impregnated 220°C (428°F)

#### Lamp Holder:

GU4 350°C (662°F) ceramic multi contact lamp holder with 250°C (480°F) teflon cables.

#### Accessories:

Cable Joint Kit (Cat. CJK150)  
Not approved for USA /Canada.

Ground Spike 300mm (12")  
(Cat. /300).

### Standards

IP66



UL1838

### Luminaire Weight

Alum .60kg (1lb 5oz)

Cop 1.160kg (8lb 3oz)

### Power Supply

HUNZA® Inground or Wall Mount  
Transformer: not included.

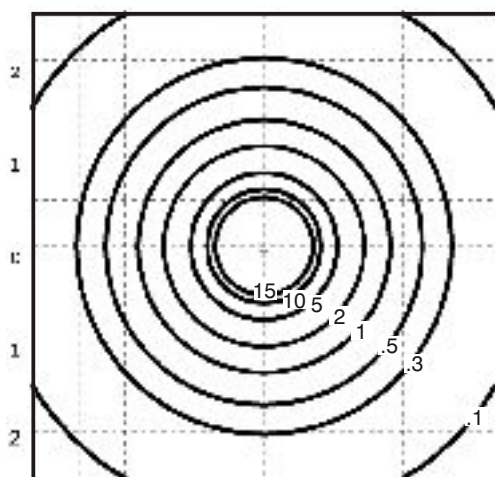
### USA and Canada:

HUNZA® Wall Mount Transformer:  
not included.

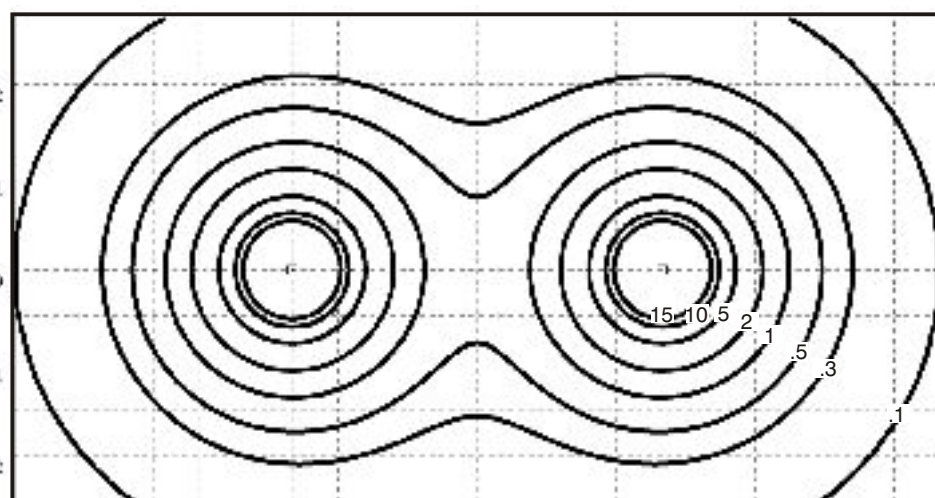
### Luminaire: supplied with

GU4 Bi Pin lamp 5, 10, 20 watt  
max.

Fern Lite 20 watt GU4 Bi-Pin lamp - Lens height 100mm (4")



METRES



METRES

Isolux Lumens Plot - Footcandles = Isolux figures divided by 10.76



**FACTORY:** Ph: 64-9-528 9471 Fax: 64-9-528 9361.

**USA:** Ph. 310 560 7310 Fax. 1 877 692 4589.

hunza@hunza.co.nz www.hunza.co.nz

Specifications may change without notice.

130 Felton Mathew Ave, Glen Innes, Auckland, New Zealand.

3237 Long Island St, W. Sacramento, California 95691, USA.

Manufactured in New Zealand.

Ver 1.2

© 2004 Hunza Holdings Ltd