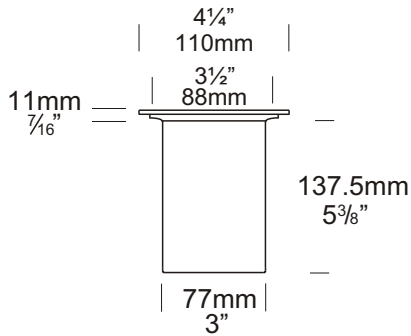


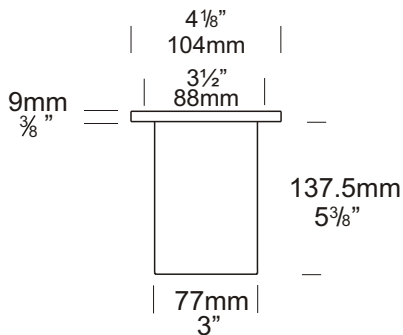
# Flush Floor Lite

Cat. No. FFLSP

Cat. No. FFLSPsq



Flush Floor Lite Square



Flush Floor Lite



The Flush Floor Lite has been designed to mount flush with the level of a pathway, hotel floor or a building foyer. The 'Flush Fit' lens stops water pooling and depositing dirt on the lens. There is no lip to trip over and the luminaire can be driven over or walked upon without being damaged.

The square shape of The Flush Floor Lite Square makes it ideal for mounting in tiled areas.

## Ordering Information

Luminaire Type	Material	Accessories
FFLSP - Flush Floor Lite	SS - 316 Stainless Steel	CJK150 - Cable Joint Kit
FFLSPsq - Flush Floor Lite Square	COP - Copper Body with Bronze ring and Stainless Steel Canister body.	LENS - Dichroic Coloured Lens HCL - Hex Cell Adaptor LENSSPREAD - Linear Spread Lens LENSSTEPF - Frost Lens
		For an alternative LED option start at page 10.4

Ordering Example: FFLSP SS - Flush Floor Lite  
316 Stainless Steel

LENS B - Blue Lens

**HUNZA**™ PURE OUTDOOR LIGHTING

**HUNZA FACTORY**  
130 Felton Mathew Ave  
Glen Innes  
Auckland 1072  
New Zealand

Ph: 64-9-528 9471  
Fax: 64-9-528 9361  
hunza@hunza.co.nz  
www.hunza.co.nz

**INTERNATIONAL CONTACTS:**  
www.hunza.co.nz/contacts.php

Specifications may change without notice.  
Manufactured in New Zealand.

© 2009 Hunza Holdings Ltd.

Ver 1.4

## Luminaire Construction

CNC machined from:

### Body:

316 Stainless Steel or Copper  
63.5mm (2½") x 9mm (11/32").  
End Cap - 316 Stainless Steel or  
Copper 63.5mm (2½") rod.

### Canister:

**Stainless Steel:** 316 Stainless Steel  
Canister 148.5mm (5½") x 1mm (3/64").

**Copper:** Bronze ring and 316  
Stainless Steel Canister body  
148.5mm (5½") x 1mm (3/64").

### Flange:

316 Stainless Steel or Copper  
104mm (4 1/8").

### Flange Square:

316 Stainless Steel or Copper  
110mm (4 3/4") x 110mm (4 3/4").

## Mounting

The luminaire is pushed into the  
canister and is held by one silicone  
"O" ring: Cast into concrete, brick,  
concrete block etc.

Maximum drive over speed 10 km/h  
(6 mph) and maximum vehicle  
weight 1500kg (3300lbs).

## Features

### Lens:

10mm (3/8") thick 'Flush Fit' clear  
tempered shatter resistant glass.

Life Time Warranty.

### Gasket:

Silicone, iron impregnated 220°C  
(428°F).

### Lamp Holders:

GU5.3 - 350°C (662°F) ceramic multi  
contact lamp holder with 250°C  
(480°F) teflon cables.

### Accessories:

Cable Joint Kit (Cat. CJK150).

Frosted Lens (Cat. LENSSTEPF).

Hex Cell Louvre Adaptor (Cat. HCL)  
(Note: Supplied as standard for  
USA/Canada).

Dichroic Coloured Lens (Cat. LENS)  
(Refer to Sheet no. 10.8).

Linear Spread Lens (Cat.  
LENSSPREAD).

## Standards

EN60598

IP68



UL1838

## Luminaire Weight

SS 1.50kg (3lb 5oz)  
COP 1.70kg (3lb 12oz)

## Power Supply

HUNZA™ Inground or Wall Mount  
Transformer: not included.

USA and Canada:

HUNZA™ Wall Mount Transformer:  
not included.

Luminaire: supplied with

MR16 GU5.3 20 watt lamp max.

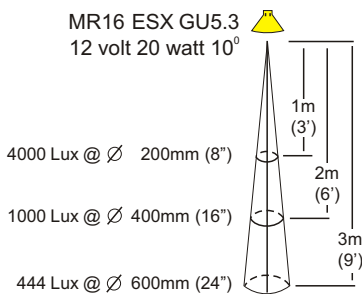
**LED** - Refer sheet no. 10.4

USA and Canada:

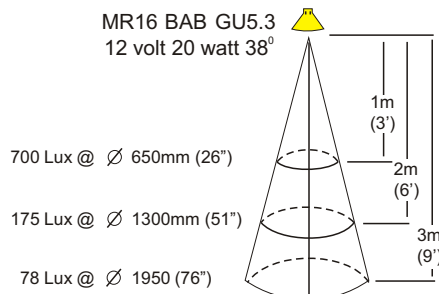
MR16 GU5.3 20 watt lamp max.

**LED** - Refer sheet no. 10.4

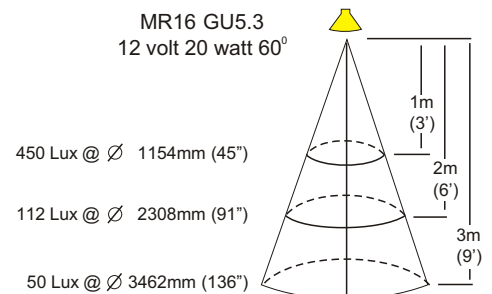
MR16 ESX GU5.3  
12 volt 20 watt 10°



MR16 BAB GU5.3  
12 volt 20 watt 38°



MR16 GU5.3  
12 volt 20 watt 60°



**HUNZA**™ PURE  
OUTDOOR  
LIGHTING

**HUNZA FACTORY**  
130 Felton Mathew Ave  
Glen Innes  
Auckland 1072  
New Zealand

Ph: 64-9-528 9471  
Fax: 64-9-528 9361  
hunza@hunza.co.nz  
www.hunza.co.nz

**INTERNATIONAL CONTACTS:**  
www.hunza.co.nz/contacts.php

Specifications may change without notice.  
Manufactured in New Zealand.

© 2009 Hunza Holdings Ltd.

Ver 1.4