

# Step Lite Solid Eyelid

Cat. No. SLs  
Cat. No. SLsfl

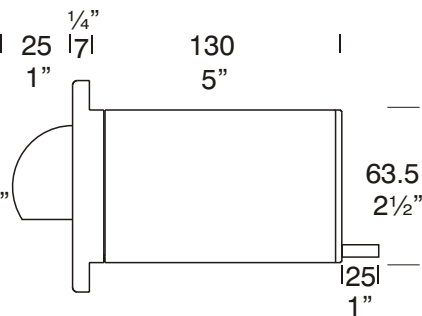
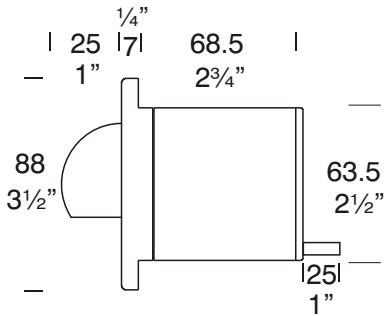


The Solid Eyelid Step Lite has a smooth machined finish without mounting holes to disrupt the elegant line of the fitting and is designed to fit into a mounting canister. The eyelid masks two thirds of the lamp which eliminates all upward light.

A 240 volt fluorescent option is available which offers excellent light output, low energy usage and very low heat generation this changes the luminaire to an IP66 rating.

### Ordering Information

Luminaire Type	Material/Finish	Accessories
SLs - Step Lite Solid Eyelid	BK - Black BZ - Bronze GN - Green MS - Metallic Silver WH - White  COP - Copper SS - 316 Stainless Steel	CJK150 - Cable Joint Kit DFL - Frosted Lens FL - Fluorescent Option HCL - Hex Cell Louvre Adaptor LED - LED Array D/LED - LED Driver Canss - 316 Stainless Steel Canister Flucan - Fluorescent Canister Slican - Step Lite Canister
Ordering Example	SLs SS - Step Lite Solid Eyelid in 316 Stainless Steel SLsfl COP - Step Lite Solid Eyelid in Copper with Fluorescent option  HCL COP - Hex Cell Louvre in Copper (Accessories ordered separately)	



Fluorescent Option



Patent Pending



**FACTORY:** Ph: 64-9-528 9471 Fax: 64-9-528 9361.  
**USA:** Ph. 310 560 7310 Fax. 1 877 692 4589.  
hunza@hunza.co.nz www.hunza.co.nz  
Specifications may change without notice.

130 Felton Mathew Ave, Glen Innes, Auckland, New Zealand.  
3237 Long Island St, W. Sacramento, California 95691, USA.  
Manufactured in New Zealand.  
© 2004 Hunza Holdings Ltd

Ver 1.2

### Luminaire Construction

CNC machined from one of the following metals:

High corrosion resistant 63.5mm (2½") x 10mm (25/64") aluminium.  
End cap - solid aluminium 63.5mm (2½") rod, flange 90mm (3½") solid aluminium rod with chromate substrate and high UV resistant polyester powder coat -

Colours Black, Bronze, Green, Metallic Silver, White.

Copper: 63.5mm (2½") x 10mm (13/32"). End cap - solid copper 63.5mm (2½") rod.  
Flange 90mm (3½") solid copper rod.

316 Stainless steel: 9mm (11/32"). End cap - solid 316 stainless steel 63.5mm (2½") rod.  
Flange 90mm (3½") solid 316 stainless steel rod.

### Mounting

Designed to fit through a 66mm (2 5/8") hole and be fixed into position by two screws in the flange or a Step Lite canister (see accessories) can be used which maintains the aesthetic look of the flange by eliminating the two screw holes in the flange.

### Features

#### Lens:

3mm (1/8") thick clear tempered shatter resistant glass.  
Life Time Warranty.

#### Gaskets:

Silicone, iron impregnated 220°C (428°F).

#### Lamp Holders:

GU5.3 - 350°C (662°F) ceramic multi contact lamp holder with 250°C (480°F) teflon cables.

#### Fluorescent

E27 PET 210° (410°F) base mount.

#### Accessories:

Cable Joint Kit (Cat. CJK 50)  
Not approved for USA /Canada.

Fluorescent Option 5 watt 240 volt (Cat. FL) IP66.

Frosted Lens (Cat. DFL).

Hex Cell Louvre Adaptor (Cat. HCL).

LED Array Red, Blue, White, Yellow, Green (Cat. LED). Refer sheet 8.4

LED Driver (Cat. D/LED) Refer sheet no. 8.4

Step Canister (Cat. Slcan).

Fluorescent Canister, PVC (Cat. Flucan).

316 Stainless Canister for use in lime stone etc. (Cat. Canss).

### Standards

IP66 / IP68



UL1838

### Luminaire Weight

12 volt  
Alum .465kg (1lb)  
Cop 1.340kg (2lb 15oz)  
SS 1.055kg (2lb 5oz)

Fluorescent IP66  
Alum .780kg (1lb 11oz)  
Cop 2.275kg (5lb)  
SS 1.690kg (3lb 11oz)

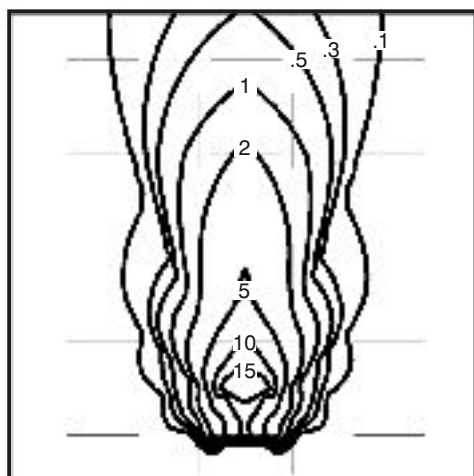
### Power Supply

HUNZA® Inground or Wall Mount  
Transformer: not included.  
**LED** - Refer sheet no. 8.4

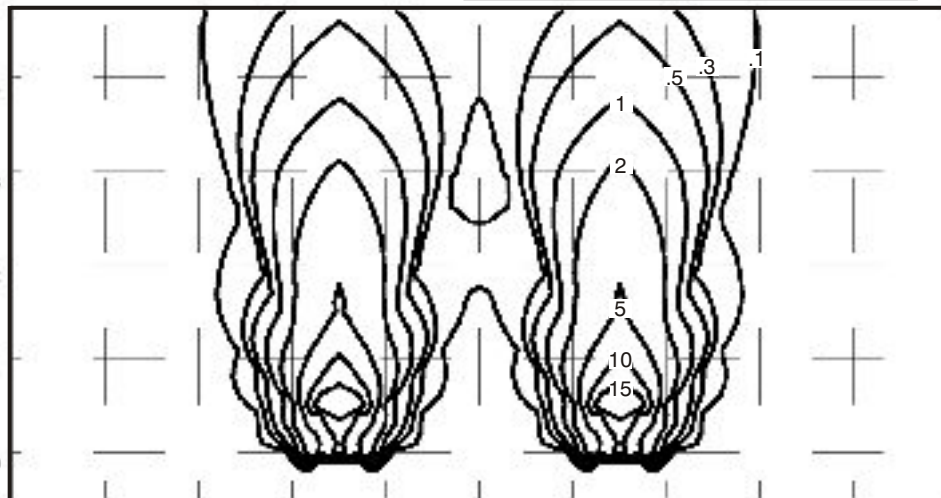
**USA and Canada:**  
HUNZA® Wall Mount Transformer:  
not included.  
**LED** - Refer sheet no. 8.4

**Luminaire: supplied with**  
**Halogen**  
MR16 GU5.3 20 watt lamp max.  
**Fluorescent**  
E27 - 240 volt 5 watt self ballasted lamp.  
**LED**  
LED - Refer sheet no. 8.4  
**USA and Canada:**  
MR16 GU5.3 20 watt lamp max.  
**LED**  
LED - Refer sheet no. 8.4

Step Lite Eyelid Square 20 watt - Lens height 400mm (15¾")



METRES



METRES

Isolux Lumens Plot - Footcandles = Isolux figures divided by 10.76



**FACTORY:** Ph: 64-9-528 9471 Fax: 64-9-528 9361.

**USA:** Ph. 310 560 7310 Fax. 1 877 692 4589.

hunza@hunza.co.nz www.hunza.co.nz

Specifications may change without notice.

130 Felton Mathew Ave, Glen Innes, Auckland, New Zealand.

3237 Long Island St, W. Sacramento, California 95691, USA.

Manufactured in New Zealand.

Ver 1.2

© 2004 Hunza Holdings Ltd